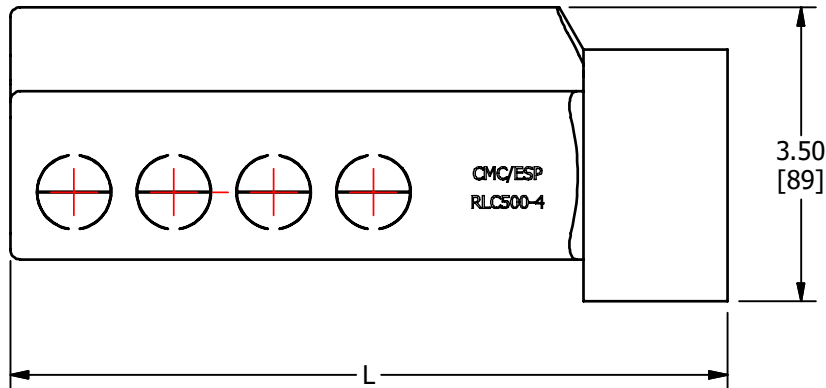
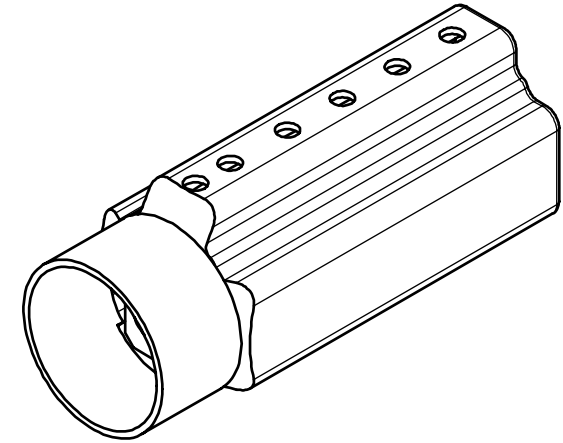
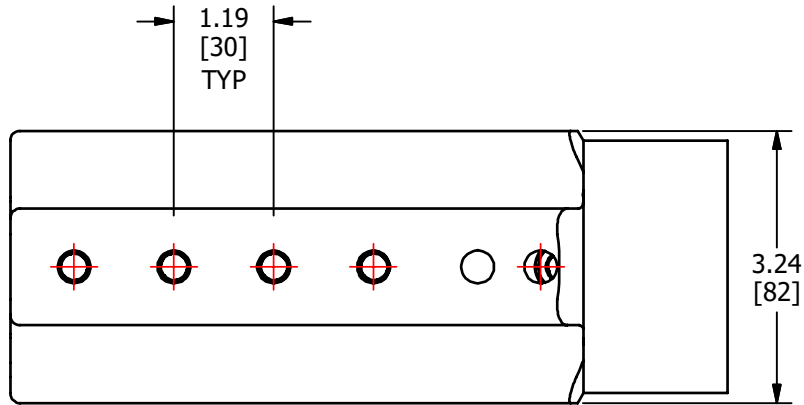


S.NO	CATALOG NUMBER	L	N
1	RLSS500-2A	6.16 [156]	2
2	RLSS500-2AI	6.16 [156]	2
3	RLSS500-4AI	8.53 [217]	4
4	RLSS500-6A	10.91 [277]	6
5	RLSS500-6AI	10.91 [277]	6



COVER MATERIAL: CLEAR PLASTISOL  
CONNECTOR MATERIAL: ALUMINUM  
CONDUCTOR RANGE: 500 KCMIL - 10  
(AL-CU)

					TO ORDER CMC PRODUCTS	DRAWN BY: TS	NAME OF PART:	CAT. NO.:
					UNITED STATES 1-513-860-4455	03-16-20	LUG ASSEMBLY	SEE TABLE
					CANADA 1-800-361-6975	CHECKED BY:	DWG NO:	A
					MEXICO 011-52-722-265-4400		C58700672I-S (CHARTED)	
A	NEW DRAWING CREATED		03-16-20	TS	FOR PRODUCT INFO www.cmdlugs.com	DRAWING NOT TO SCALE		SHEET NO: 1 OF 1
REV.	DESCRIPTION	ECN	DATE	INIT.				

THIS INFORMATION IS PROPRIETARY TO CONNECTOR MFG. CO. AND IS NOT TO BE DISCLOSED OUTSIDE OF CONNECTOR MFG. CO. WITHOUT A CONFIDENTIALITY AGREEMENT



**CONNECTOR MANUFACTURING CO.**

HAMILTON, OHIO

